

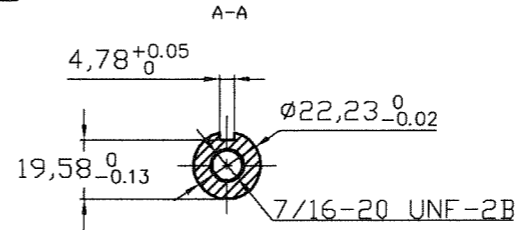
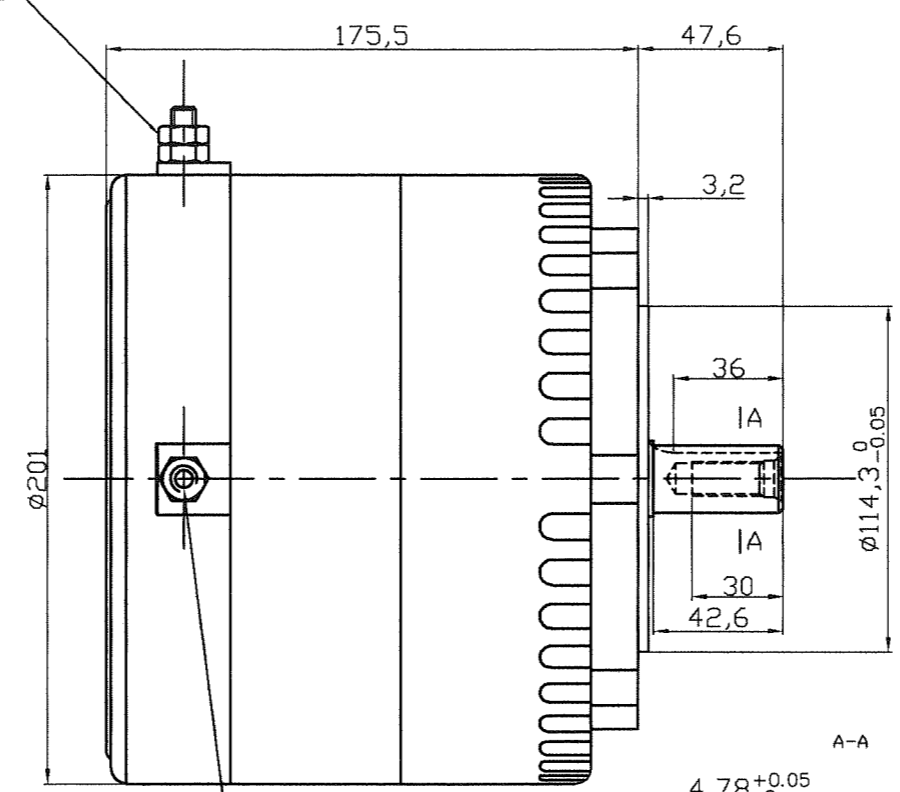
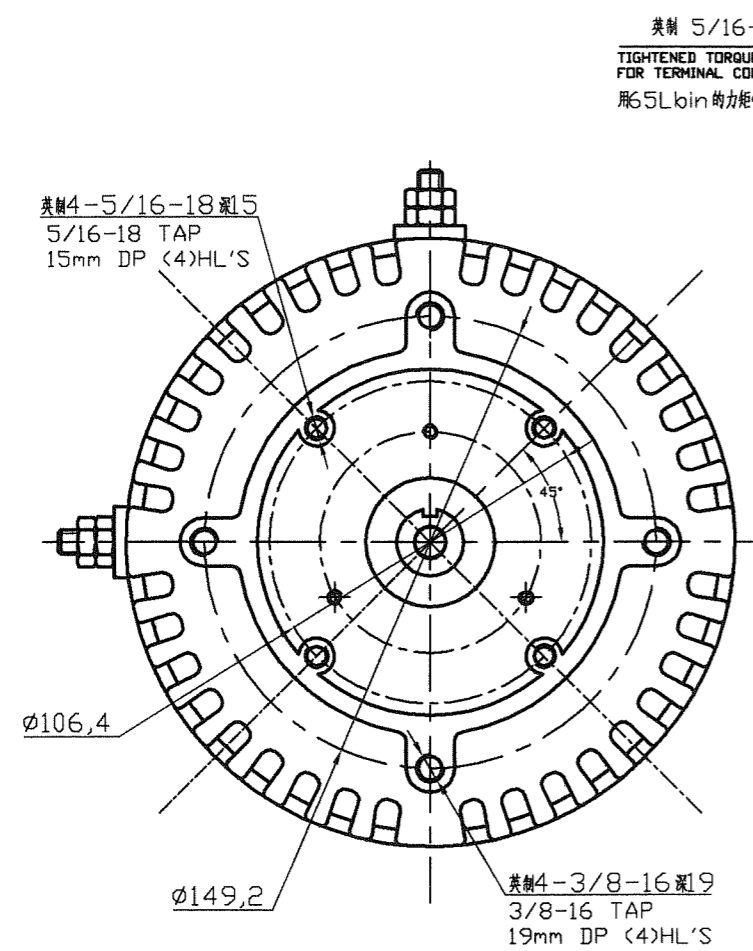
200SYX51

B

A

A

B



技术要求:

- 1、电机允许顺、逆方向运行,按图示接线,从轴伸端视为逆时针方向。
- 2、电机前轴承型号采用NTN6006 LLUC3/5K(日本原装)。
- 4、电机用聚苯乙烯泡沫和普通白盒包装,每台电机上应刻上铭牌。
- 5、包装盒上需注: Date Code:xxxxxx
Part Number:ME0709
Made in China

NOTES:

- 1.CCW
- 2.Front bearing: NTN6006 LLUC3/5K (Made in Japan)
- 3.Product to be shipped in plain white box, styrofoam packaging
Include Dyno Plot in box.
- 4.Box to be marked:
Date Code: XXXXXXXX
Part Number: ME0709
Made in China

NAMECARD DATA
PART # ME0709
DATE CODE XXXXXX
SERIAL #:XX.XX.XXXX
Mars Electric LLC
Milwaukee, WI USA

规格表

型号 MODEL	输出功率 (W) POWER (W)	电压 (V.DC) VOLTAGE (V.DC)	转矩 (LB?IN) TORQUE (LB?IN)	额定转速 (RPM) LOADED SPEED (RPM)	空载转速 (RPM) NO LOAD SPEED (RPM)	电流 (A) CURRENT (A)
200SYX51 7028	728	72	180	3300±250	appr.3700	∅114

REV.	CHANGES	BY	ECO NO.	DATE	DO NOT SCALE DRAWING THIS DRAWING IS PROPRIETARY PROPERTY OF MARS ELECTRIC LLC CORPORATION DISCLOSED IN CONFIDENCE. WHICH MAY NOT BE USED OR DISCLOSED WITHOUT PERMISSION. RETURN PROMPTLY AFTER USE.	DIMENSIONING AND TOLERANCING PER ANSI Y14.5M-1994	MATERIAL	TITLE OUTLINE 200SYX51 永磁式直流感式电动机 外形图	DRAWN: XIXING 07.09.13	APPR:	DESIGN VENDOR: -	REV SHEET - 1 OF 1
-	-	-	-	-								
-	-	-	-	-								
-	-	-	-	-								
-	-	-	-	-								
-	-	-	-	-								
					CLASSIFICATION OF CHARACTERISTICS	CRITICAL (C):	S/N:	CODE:	DEPT:	SCALE:	OJWT.300.501	
					WHICH MAY NOT BE USED OR DISCLOSED WITHOUT PERMISSION. RETURN PROMPTLY AFTER USE.	EMMISSIONS (E):	MODEL NO:					
						MAJOR (M):	SIM TO:					